



ISOWARM

► Provides invisible, controllable heat on demand when and where it is needed the most...

Isowarm Underfloor Heating Technical Profile

Isowarm underfloor heating offers an invisible, low maintenance comfort heating solution under the surface of the floor.

The system incorporates insulation, pipework along with associated retaining mechanism and screed to offer a complete underfloor heating solution. We provide a bespoke UFH design tailored to the exact building specifications, whilst also remaining compliant with the relevant standards for UFH (BSEN 1264) and screed (BSEN 8204).

The Isowarm system can provide energy-savings when compared with conventional heating methods and aids environmental compliance for thermal integrity in new buildings — ideal for residential developments as well as commercial buildings such as schools, hospitals, shopping centres and leisure complexes.

Isowarm Underfloor Heating systems can be designed to help provide a fast turnaround in refurbishment and new build projects, while providing a solution that is maintenance-free for the lifetime of the building.

Application Suitability



Education



Healthcare



Leisure



Offices



Retail



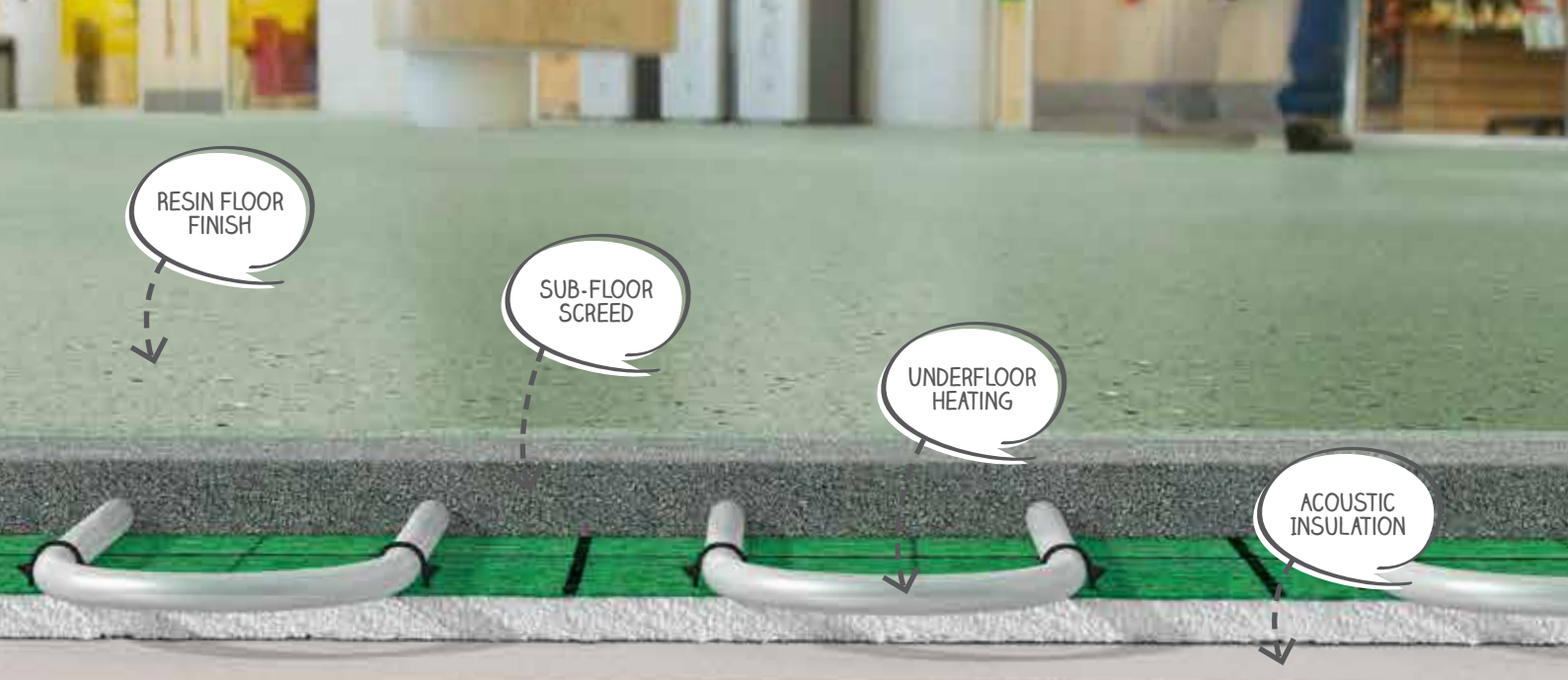
Residential

Flowcrete UK is proud to be part of the RIBA CPD Providers Network, offering the following seminars:

- ✓ Underfloor Heating Systems: The Way Forward
- ✓ Specifying Seamless Resin Terrazzo
- ✓ Decorative Resin Flooring for Public Areas
- ✓ Correct Specification for Industrial Resin Flooring
- ✓ Car Park Decking: Protection, Strength and Aesthetics
- ✓ How to Avoid Screed Failures
- ✓ Specifying Polished Concrete
- ✓ Renovating Communal Areas for Social Housing
- ✓ The Cost of Floor Failure in the Design of Food and Beverage Processing Plants

To book, email
cpd@flowcrete.com





Introducing The Floorzone

Flowcrete UK has developed the Floorzone concept so that any development, regardless of scale, scope or sector, can make their supply chain more efficient.

Every element of the floor is sourced direct from one supplier, with one point of contact and under one manufacturer's warranty. The materials are installed by Flowcrete's licensee network.

A High Performance Resin Finish

Flowcrete's high performance floor finishes include decorative epoxy, durable polyurethane, fast curing methyl methacrylate (MMA), all ideally suited for use in several environments as commercial venues.

- ✓ Mondéco Mirrazzo
- ✓ Mondéco Crystal Ice
- ✓ Mondéco Arctic
- ✓ Rustik Glamourstone
- ✓ Rustik Natural Stone
- ✓ Naturewalk

A Self-Levelling Floor Screed

Flowcrete's range of Isocrete Self Levelling Screeds are less labour intensive and offer faster drying times than alternative materials and can be laid at reduced thicknesses, delivering superior strength.

- ✓ Isocrete Self Level Renovation
- ✓ Flowscreed Industrial Top
- ✓ Isocrete Self Level Plus
- ✓ Isocrete Self Level Base
- ✓ Isocrete 1500
- ✓ Isocrete 4000
- ✓ Isocrete 5000
- ✓ Isocrete K-Screed

An Energy-Saving Heating System

Isowarm Underfloor Heating delivers controllable heat, providing environmental and efficiency savings of up to 30% compared to conventional heating. Isowarm is geared up to the specialist needs of today's modern construction standards.

- ✓ Isowarm Tackerboard
- ✓ Isowarm ADP

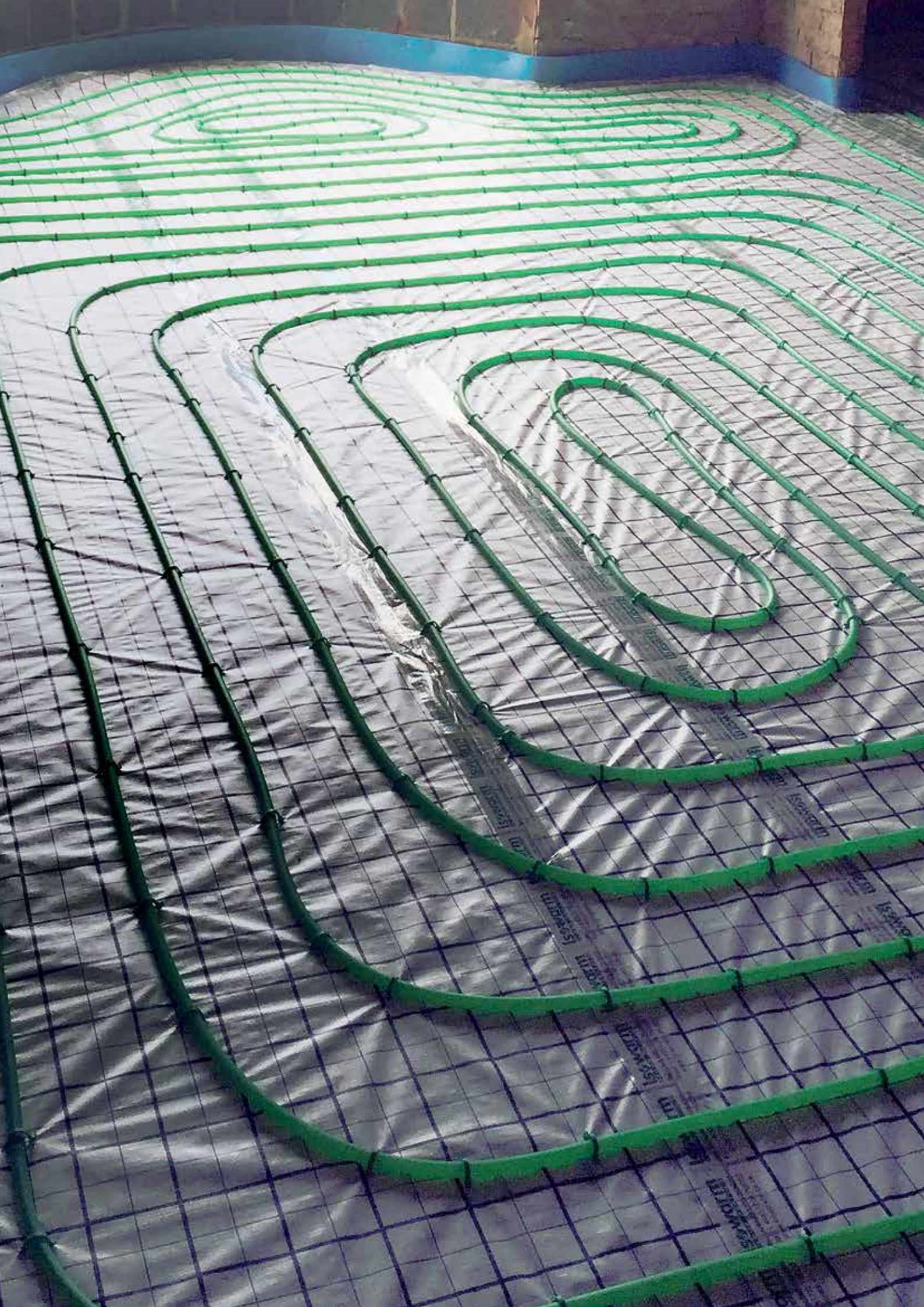
(Please consult our Isowarm team to discuss your exact heating requirements.)

An Acoustic Foam Layer

Isocrete Acoustic Foam reduces the passage of airborne sound within multi-occupancy buildings and exceeds the requirements of Approved Document E of the Building Regulation 2003, which requires airborne (min 45Db) and impact (max 62Db) sound performance.

- ✓ Isocrete Acoustic Foam

(Isocrete Acoustic Foam can be used with or without Isowarm Underfloor Heating.)



Isowarm Underfloor Heating: Benefits



Energy Saving

Isowarm can offer energy-efficiency savings when compared with conventional heating methods due to its even distribution of heat and temperature control.



Environmentally Friendly

Isowarm used in conjunction with the EPS board can contain up to 30–40% recycled material. The retaining brass throughout is 100% recyclable.



Maintenance Free

Isowarm requires little to no maintenance for the life of the building. This provides a flooring solution that will last for the building's full life cycle.



Safe Heating

Isowarm avoids potentially hot surfaces being exposed throughout commercial environments. In space-restricted areas, the hidden system is out of the way.



Controllable Comfort

Isowarm UFH provides a controllable radiant floor heating that creates no noise or draughts, is easy to operate, and gives an excellent quality of comfort heating.



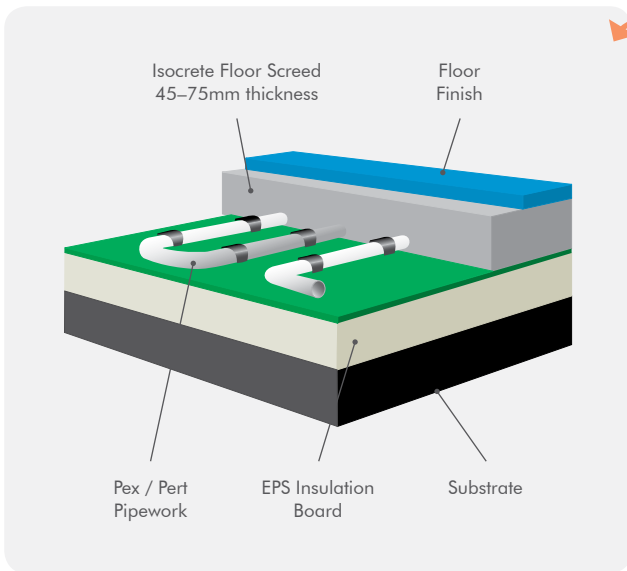
Approved and Tested

Isowarm is installed and tested by our network of approved installers and is backed by Flowcrete's sales and technical support.

Proven Performance

Flowcrete's durable, efficient and high-performance underfloor heating technology has been specified for a variety of projects across the UK.

- ✓ The Athletes' Village, London 2012
- ✓ Highbury Square
- ✓ South Cheshire College
- ✓ BT City Point
- ✓ Stirling Sports Village
- ✓ Stonehouse Hospital
- ✓ Darent Valley Hospital
- ✓ Abergelge Hospital
- ✓ Royal Chelsea Hospital
- ✓ Aurora International
- ✓ Sure Start Nurseries
- ✓ Calderstones MSU
- ✓ Wester Hailes Healthy Living Centre
- ✓ Ryhope Hospital



Isowarm Tackerboard

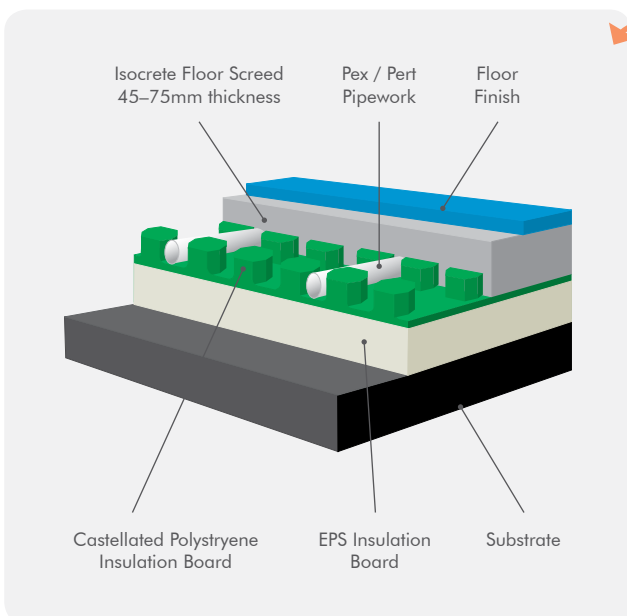
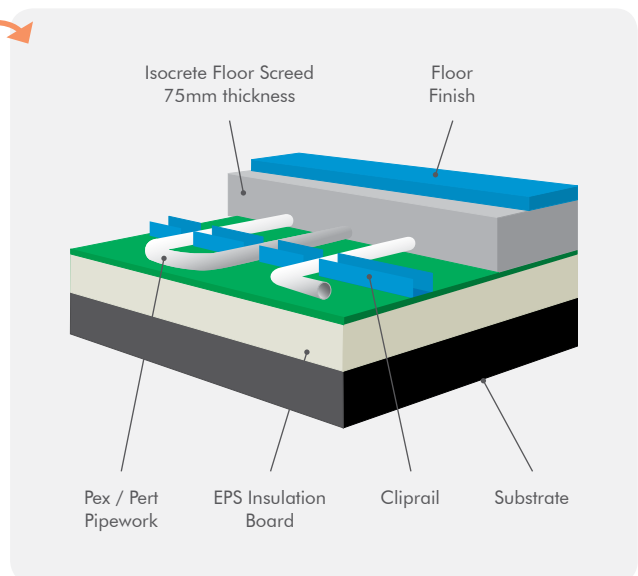
Incorporating insulation, pipework and screed in a slimline application.

Its unique design, with a pipe retention system and membrane built directly into the insulation, is quick and simple to install, as well as maintenance free for the lifetime of the building. Isowarm Tackerboard benefits from energy savings and flexibility of zoning and temperature control.

Isowarm Cliprail

Incorporating evenly spaced cliprails to ensure a uniform distribution of heat across the flooring surface.

Sturdy fittings ensure all pipework is securely fastened to the insulation board, safeguarding the pipes from slipping or floating during screed installation. The system offers energy-savings when compared with traditional heating methods.

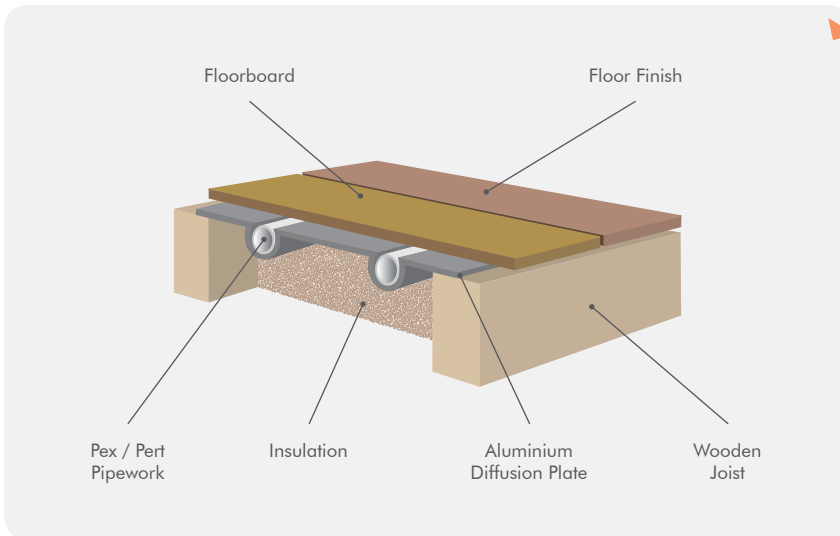


Isowarm Castelboard

Comprising insulation, pipework and associated retaining screed in a slimline solution.

Its clever pipe retention method ensures the precise location of pipes, which will not slip or float in the screed. A factory applied, vapour-resistant polyethelene membrane, together with interlocking tape-less joints, ensure that the system is resistant to screed water slurry.

Aluminium Diffusion Plate (ADP) Systems

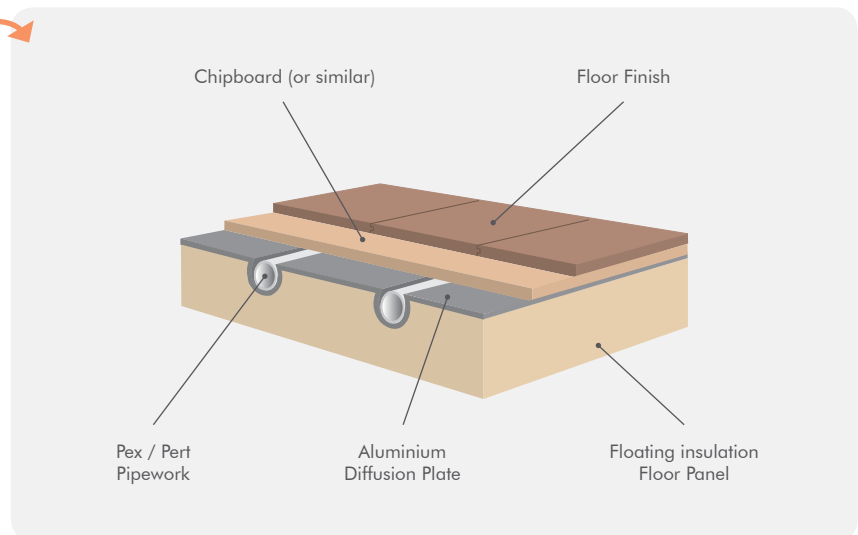


Suspended Floors*

The ADP is fitted between structural wooden floor joists and floorboards to transfer heat from the pipework to the underside of the floor finish.

Floating Floors*

The ADP or thermal conducting foil is routed into a floating floor to diffuse the output of heat evenly across the entire flooring surface.



*These systems are recommended for situations where screeds are not viable.

Bespoke Design & Supply Service

Flowcrete understands the importance of working to a tight budget and to a strict construction schedule. With this in mind, Flowcrete offers a complete bespoke design and supply service to ensure neither runs over. Technical support from Flowcrete representatives is provided to all the licensees from initial consultation through to aftercare and everything in between...



Project Consultation



Product Specification



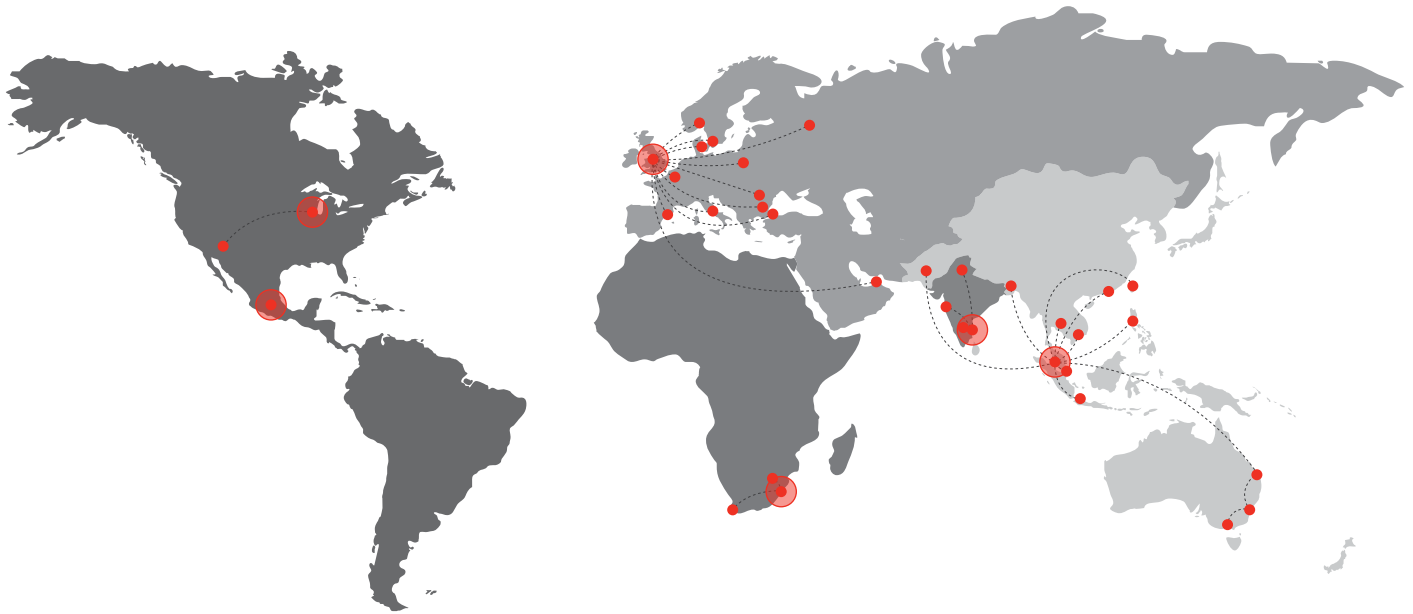
Design Service



Logistics Management



Warranty & Aftercare



Flowcrete

World leader in seamless resin flooring solutions and other specialist coatings.

Africa

South Africa +27 31 701 0017 southafrica@flowcrete.com

Asia Pacific (APAC)

Australia	+61 7 3205 7115	australia@flowcrete.com
Bangladesh	+88 02 985 7222	bangladesh@flowcrete.com
Hong Kong	+852 2795 0478	hongkong@flowcrete.com
Indonesia	+62 21 252 3201	indonesia@flowcrete.com
Malaysia	+60 3 6277 9575	asia@flowcrete.com
Pakistan	+60 3 6277 9575	pakistan@flowcrete.com
Philippines	+63 2 834 6506	philippines@flowcrete.com
Singapore	+60 3 6277 9575	singapore@flowcrete.com
Taiwan	+60 3 6277 9575	taiwan@flowcrete.com
Thailand	+66 2539 3424	thailand@flowcrete.com
Vietnam	+84 28 6287 0846	vietnam@flowcrete.com

Europe & Middle East (EME)

Bulgaria	+359 898 61 58 31	bulgaria@flowcrete.com
Denmark	+46 435 40 01 10	denmark@flowcrete.com
France	+33 1 60 61 74 42	france@flowcrete.com
Italy	+39 339 4853258	italy@flowcrete.com
Norway	+47 6486 0830	norway@flowcrete.com
Poland	+48 22 879 8907	poland@flowcrete.com
Romania	+40 766 596 991	romania@flowcrete.com
Russia	+7 916 931 3513	russia@flowcrete.com
Spain	+34 937 07 0872	spain@flowcrete.com
Sweden	+46 435 40 01 10	sweden@flowcrete.com
Turkey	+90 212 2946570	turkey@flowcrete.com
UAE	+971 4 886 4728	uae@flowcrete.com
UK	+44 (0) 1270 753 000	uk@flowcrete.com

India

India +91 44 40176600 india@flowcrete.com

North America

Mexico	+55 44 40 94 00	mexico@flowcrete.com
USA	+1 513-943-4225	americas@flowcrete.com