

Flowscreed Industrial Top (5 – 30mm)

A fast drying cement-based, pump applied floor topping for fast track renovation of concrete floors.

Flowscreed Industrial Top can be used with Flowcrete resin toppings to provide better aesthetics and improved wear and chemical resistance. An 8mm average thickness is a typical expectation on a reasonably level base.

It is suitable for warehouses, production zones, aircraft hangers, automotive and other areas where a hardwearing level floor is needed.



Rapid Installation:

Up to 2000m² per day under suitable conditions.



Resistance:

Good resistance to impact, point loading and abrasion.



Protein Free:

It will not harbour bacteria.



Fast Cure & Drying:

Walk on after 2 - 4 hrs and install floor finishes after 24 hrs dependent on thickness/temperature/humidity.

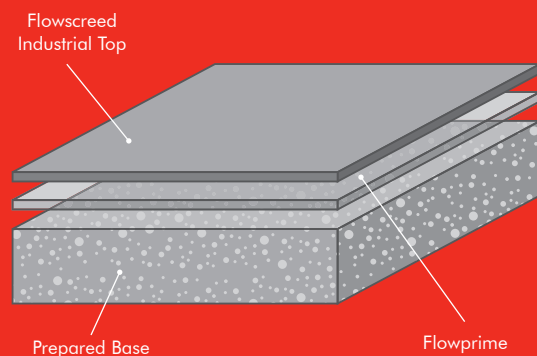
Technical Profile*

REACTION TO FIRE		
EN 13501-1	B _{fl} - s1	
IMPACT RESISTANCE		
BS 8204-1 Category A		
TEMPERATURE RESISTANCE		
50 °C Max		
COMPRESSIVE STRENGTH (28 DAYS)		
EN 13892-2	35 N/mm ²	C35
FLEXURAL STRENGTH (28 DAYS)		
EN 13892-2	9 N/mm ²	F9
ABRASION RESISTANCE		
EN 13892-4	AR2	
ADHESION TO C30 CONCRETE (28 DAYS)		
EN 13892-8	> 1 N/mm ²	
SHRINKAGE		
< 0.06%		
MAXIMUM PARTICLE SIZE		
1mm		
PROTEIN CONTENT		
Nil		
LAYING TEMPERATURE		
5 – 25 °C		
FLOW RING (65mm Diam. x 40mm High)		
220 – 240mm		
MIX RATIO PER 25KG		
4.5 – 4.8 litres water		

SPEED OF CURE**	10 °C	20 °C
Walk on	4 - 8 hrs	2 - 4 hrs
Following trades	1 day	1 day
Full Traffic	7 days	7 days

[*These figures are typical properties achieved in laboratory tests at 20 °C and at 50% Relative Humidity.]

[**For 10 mm thickness.]



Model Specification

Product	Flowscreed Industrial Top
Thickness	5 – 30mm

Preparatory work and application in accordance with manufacturer's instructions.

Products Included in This System

Primer	Flowprime @ 0.25 kg/m ²
Sand scatter	Dry Silica Sand/Quartz grade 1 - 2 mm @ 2 kg/m ²
Or if dpm required:	
DPM	Hydraseal DPM @ 0.5 kg/m ²
Sand scatter	Dry Silica Sand/Quartz grade 1 - 2mm @ 2 kg/m ²
Floor Screed	Flowscreed Industrial Top @ 17 kg/m ² for 10mm

Detailed application instructions or information on suitable resin toppings are available upon request.

Substrate Requirements

Concrete or screed substrate should be a minimum of 25 N/mm², free from laitance, dust and other contamination. The substrate should be dry to 75% RH as per BS 8203 and free from rising damp and ground water pressure. If above 75% RH, or no damp proof membrane is present Hydraseal DPM can be incorporated directly beneath the Flowscreed Industrial Top system, enabling the immediate installation of floor finishes once the screed has dried.

Installation Service

The installation can be carried out by any competent contractor. Obtain details of our approved contractors by contacting our customer service team or enquiring via our website www.flowcrete.co.uk.

Drying Time

Floor finishes can be applied after 24 hours, dependent on thickness and ambient conditions (20 °C, 50% RH). After 24 hours curing (without draughts) ensure the area has sufficient ventilation to allow the screed to dry.

Protection on Completion

Ensure the screed is not subject to draughts and strong sunlight during the first 24 hours of curing as this may lead to cracking and crazing. Tape up doorways with polythene to prevent air movement. Prevent contamination by following trades e.g. plastering, including water spillage.

Focus on the Floorzone

Flowcrete is a market leader in specialist industrial and commercial flooring. Systems available include: underfloor heating, floor screeds, surface damp proof membranes, decorative floor finishes, seamless terrazzo, car park deck waterproofing, tank lining systems... to name just a few. Our objective is to satisfy your Floorzone needs.

Important Notes

Flowcrete products are guaranteed against defective materials and manufacture and are sold subject to our standard 'Terms and Conditions of Sale', copies of which can be obtained on request.

Any suggested practices or installation specifications for the composite floor or wall system (as opposed to individual product performance specifications) included in this communication (or any other) from Flowcrete UK Ltd constitute potential options only and do not constitute nor replace professional advice in such regard. Flowcrete UK Ltd recommends any customer seek independent advice from a qualified consultant prior to reaching any decision on design, installation or otherwise.

System Datasheet written for Flowcrete UK Ltd. Please consult Technical Team in your own country region for specific details.
[2017.08, 01 UK]